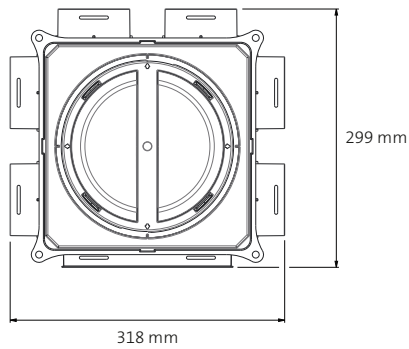
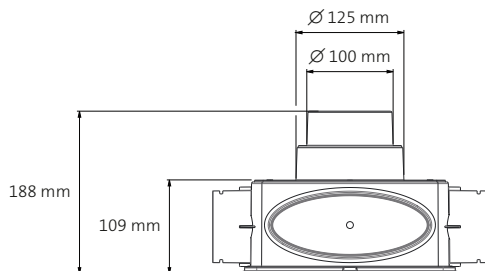


Air Excellent

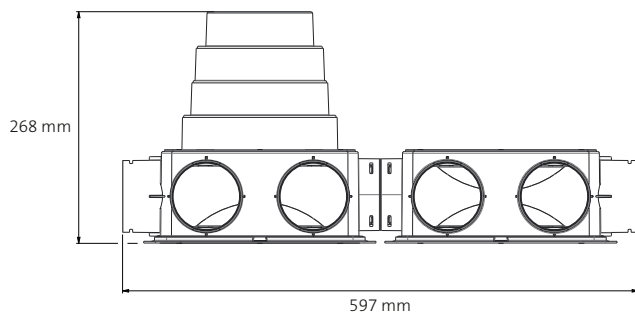
200 Series distribution boxes, type DB206



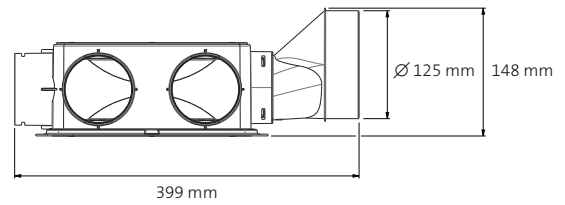
DB206



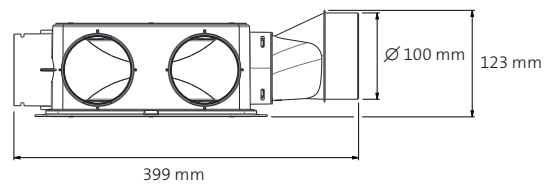
DB206 with stepped mass flow adapter 100 - 125 mm



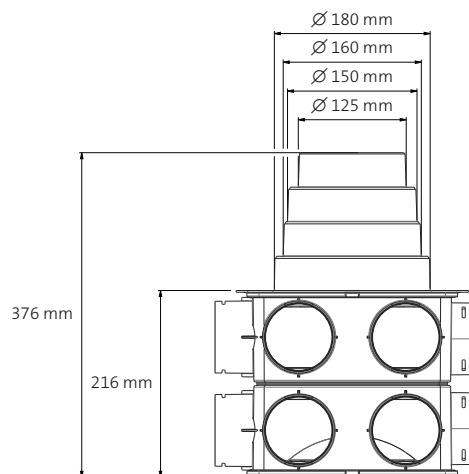
DB206 horizontal extended configuration



DB206 with 125 mm mass flow adapter



DB206 with 100 mm mass flow adapter



DB206 vertical extended configuration